

TRENDnet®



Quick Installation Guide TI-IG30/TI-IG60 (V1)

Table of Contents

1 English

1. Before You Start
2. Quick Reference
3. Hardware Installation
4. Additional information

1. Before You Start

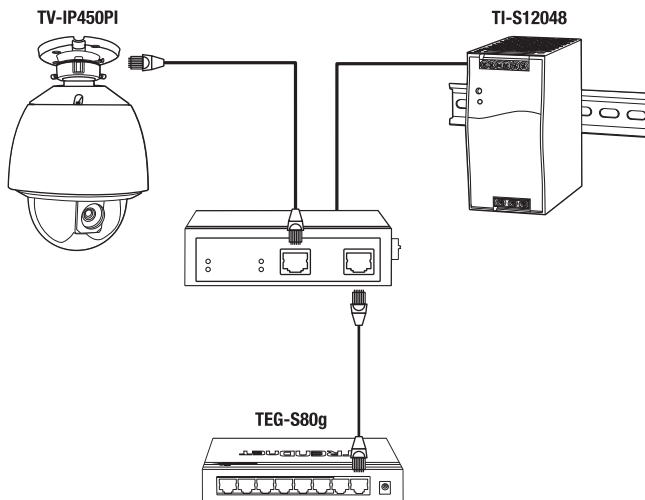
Package Contents

- TI-IG30/TI-IG60
- Quick Installation Guide
- Removable terminal block
- DIN-rail mount
- Wall mount kit

Minimum Requirements

- Existing network
- Power Supply (TI-S12048)

2. Quick Reference

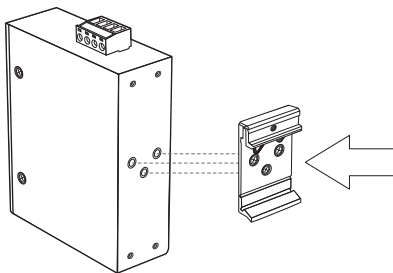


3. Hardware Installation

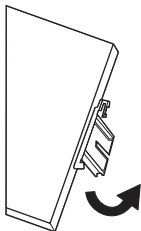
The PoE+ injector can be placed on a desktop, wall, or mounted to a DIN-Rail.

DIN-rail Mounting Instructions

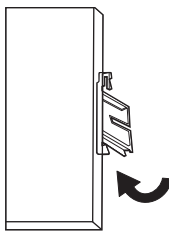
1. Attach the DIN-Rail mount to the PoE+ injector.



2. Position the unit in front of the DIN-Rail and hook the mount bracket over the top of the rail.
3. Rotate the fiber converter downward towards the rail to lock it into place. You will know it is secure when you hear the click.



Mounting the unit



Releasing the unit

4. To remove the unit, pull down to clear the bottom of the DIN-Rail and rotate up, away from the rail.

Wall Mounting Instructions

1. Attach the wall mount plates to PoE+ injector.
2. Mount the switch.

Safety Note



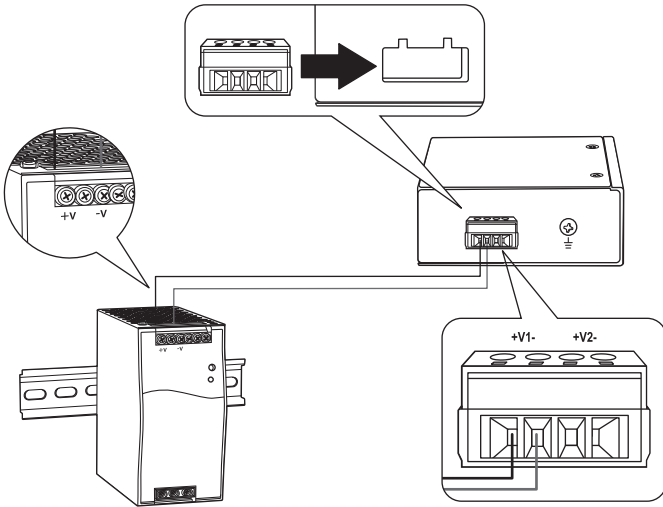
- Turn off the power before connecting any module or wire. The correct power supply voltage (48 - 56 V DC) is listed on the product label. Check the voltage of your power source to make sure that you are using the correct part. Do NOT use voltage greater than 48 - 56 V DC, the product label.
- Calculate the maximum possible current in each power wire and common wire. Observe all electrical codes dictating the maximum current allowable for each wire size. If the current surpasses the maximum ratings, the wiring could overheat, causing serious damage to your equipment.

Applying Power

1. Connect the power supply (sold separately) to the included terminal block (as shown below) and secure with the screws.

Note: Polarities must match.

2. Attach the terminal block to the unit, connect the neutral wire to the ground, and supply power to the power adapter.



3. Connect a network source and devices to the switch. Check the LEDs to confirm the connections are established. Your installation is completed.

4. Additional information

DIP Switch (TI-IG60 ONLY)



Dip 1	2P	2 pair 30w
	4P	4 pair 60w
Dip 2	A	Mode A End-Span is selected (Default)
	B	Mode B Mid-Span is selected
Dip 3	HI	High power 36w
	at	IEEE802.3 at 30w
Dip 4	Res	Reserved (default)
	Res	Reserved

Declaration of Conformity

TRENDnet[®]

Manufacturer's Name and Address

TRENDnet, Inc.
20675 Manhattan Place
Torrance, CA 90501 USA

Zwolsestraat 156 2587 WB
The Hague The Netherlands



Product Information:

Model Number: TI-IG30 / TI-IG60

Product Name: Hardened Industrial 30 Watt Gigabit PoE+ Injector
Hardened Industrial 60 Watt Gigabit PoE+ Injector

Trade Name: TRENDnet

TRENDnet hereby declare that the product is in compliance with the essential requirements and other relevant provisions under our sole responsibility.

Safety

EN 60950-1: 2006 + A11: 2009 + A1: 2010 + A12: 2011 + A2: 2013

EMC

EN 55022: 2010 + AC: 2011 Class A
AS/NZS CISPR 22: 2009 + A1:2010 Class A
EN 55024: 2010
CISPR 22: 2008 + Is1: 2009 + IS2: 2010 + Corr: 2012 Class A

This product is herewith confirmed to comply with the Directives.

Directives:

Low Voltage Directive 2006/95/EU
EMC Directive 2004/108/EU
RoHS Directive 2011/65/EU
REACH Regulation (EU) No. 1907/2006

Person responsible for this declaration.

Place of Issue: Torrance, California, USA

Date: August 10, 2017

Name: Sonny Su

Title: Director of Technology

Signature:

A handwritten signature in black ink, appearing to read 'Sonny Su', is written over a horizontal line.



Certifications

This device complies with Part 15 of the FCC Rules.

Operation is subject to the following two conditions:

- (1) This device may not cause harmful interference.
- (2) This device must accept any interference received.

Including interference that may cause undesired operation.



Waste electrical and electronic products must not be disposed of with household waste. Please recycle where facilities exist. Check with your Local Authority or Retailer for recycling advice.

Applies to PoE Products Only: This product is to be connected only to PoE networks without routing to the outside plant.

Note

The Manufacturer is not responsible for any radio or TV interference caused by unauthorized modifications to this equipment. Such modifications could void the user's authority to operate the equipment.

Advertencia

En todos nuestros equipos se mencionan claramente las características del adaptador de alimentación necesario para su funcionamiento. El uso de un adaptador distinto al mencionado puede producir daños físicos y/o daños al equipo conectado. El adaptador de alimentación debe operar con voltaje y frecuencia de la energía eléctrica domiciliar existente en el país o zona de instalación.

Technical Support

If you have any questions regarding the product installation, please contact our Technical Support.

Toll free US/Canada: **1-855-373-4741**

Regional phone numbers available at www.trendnet.com/support

TRENDnet

20675 Manhattan Place
Torrance, CA 90501
USA

Product Warranty Registration

Please take a moment to register your product online. Go to TRENDnet's website at: www.trendnet.com/register